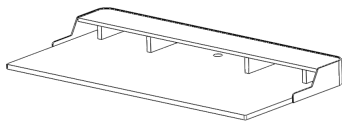


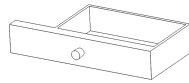
Part # OFD-HRVY XX+XX

19-1125

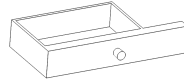
## PARTS



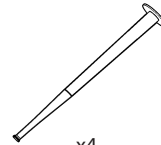
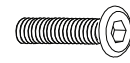
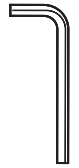
A



B

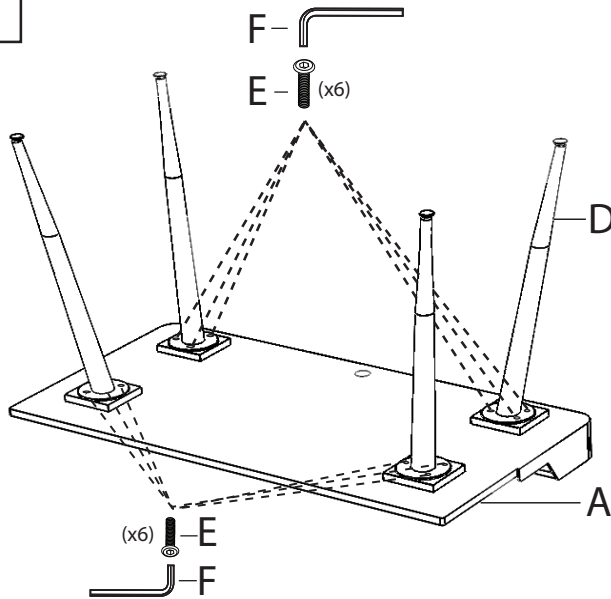


C

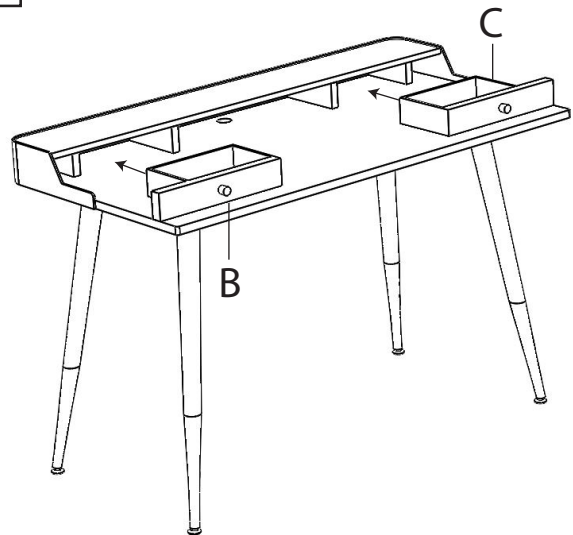
x4  
Dx12  
(M8 20mm)  
E

F

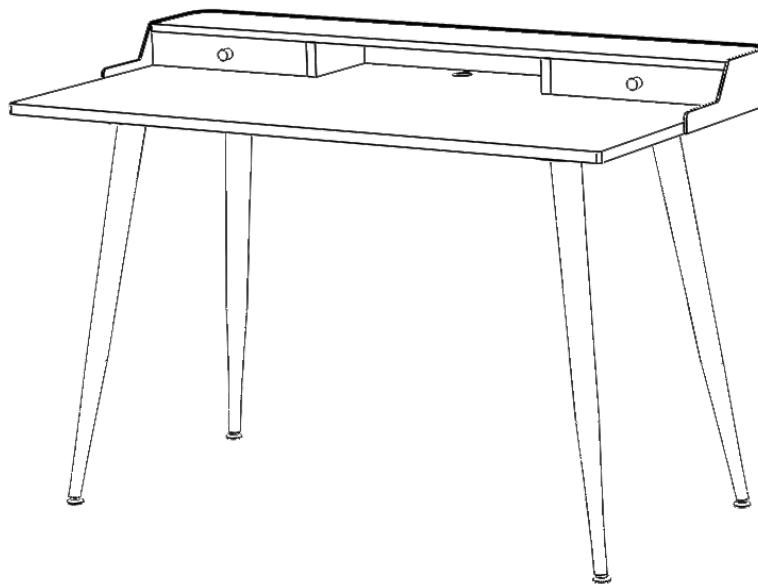
1



2



3



Do not over tighten.  
Do not use power tools to assemble.